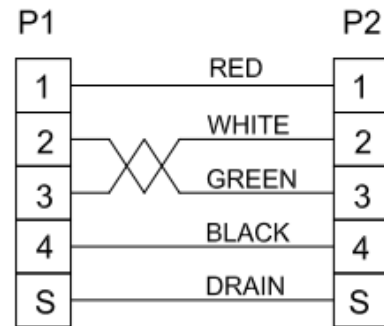


Part Number	Length(L)mm
<b>USB2-MBMPAF-01TK</b>	<b>300<sup>+50</sup><sub>-0</sub></b>


**PIN ASSIGNMENT**



**TEST CONDITION**

1. OPEN/SHORT : 100%
2. INSULATION RESISTANCE: 20 Mohm min
3. CONTACT RESISTANCE: 3 ohm max
4. HI POT: DC300v/10ms

**RoHS2 compliant product**

⑪	Copper foil	COPPER FOIL	-
⑩	Outer mold	PVC 50 BLACK	BLACK
⑨	Outer mold	PVC 30 BLACK	BLACK
⑧	Inner mold	PE	-
⑦	TUBE	HEAT SHRINK TUBE	-
⑥	Nut	NUT 4.75×6.0 M3	-
⑤	Plug	USB A 4P FEMALE NI-PLATE PBT WHITE	-
④	Shell	BACK SHELL NI-PLATE(MINI USB 5P/M)OR EQU	-
③	Shell	FRONT SHELL NI-PLATE(MINI USB 5P/M)OR EQU	-
②	Plug	MINI USB 5P/M OR EQU	-
①	Cable	UL2725 28#1P+28#2C+ADB OD3.8mm BLACK VW-1 30V	BLACK
<b>No</b>	<b>Material</b>	<b>Description</b>	<b>Color</b>
Unit:mm	Approved	Checked	Desingner
		<b>USB2.0 MINI B TO A/F CABLE</b>	 <a href="https://cabledirect.jp">https://cabledirect.jp</a>
			Version: <b>A</b>

**Part No:USB2-MBMPAF-\*\*\*TK**