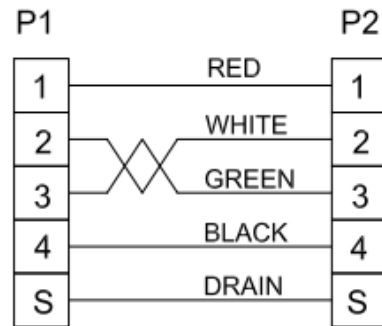


| Part Number | Length(L)mm |
|------------------------|---------------------------------------|
| USB2-BMPAF-01TK | 300⁺⁵⁰₋₀ |
| | |
| | |
| | |

PIN ASSIGNMENT




TEST CONDITION

1. OPEN/SHORT : 100%
2. INSULATION RESISTANCE: 20 Mohm min
3. CONTACT RESISTANCE: 3 ohm max
4. HI POT: DC300v/10ms

RoHS2 compliant product

| | | | |
|---|-------------|---|-------|
| ⑪ | Copper foil | COPPER FOIL | - |
| ⑩ | Outer mold | PVC 50 BLACK | BLACK |
| ⑨ | Outer mold | PVC 30 BLACK | BLACK |
| ⑧ | Inner mold | PE | - |
| ⑦ | TUBE | HEAT SHRINK TUBE | - |
| ⑥ | Nut | NUT 4.75×6.0 M3 | - |
| ⑤ | Plug | USB A 4P FEMALE NI-PLATE PBT WHITE | - |
| ④ | Shell | BACK SHELL NI-PLATE(USB B 4P/M)OR EQU | - |
| ③ | Shell | FRONT SHELL NI-PLATE(USB B 4P/M)OR EQU | - |
| ② | Plug | USB B TYPE 4P M G/F OR EQU | - |
| ① | Cable | UL2725 28#1P+28#2C+ADB OD3.5mm BLACK VW-1 30V | BLACK |

| No | Material | Description | Color |
|--|----------|-------------|-------------------|
| Unit:mm | Approved | Checked | Designer |
| USB2.0 A/F TO A/F CABLE  | | | Version: A |

Part No:USB2-BMPAF-*TK**