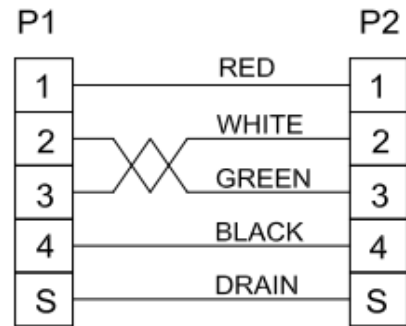


| Part Number | Length(L)mm |
|-------------------|-----------------------------------|
| USB2-AMPAF-1200TK | 1200 ⁺⁶⁰ ₋₀ |
| USB2-AMPAF-1500TK | 1500 ⁺⁶⁰ ₋₀ |
| USB2-AMPAF-1800TK | 1800 ⁺⁶⁰ ₋₀ |

PIN ASSIGNMENT



TEST CONDITION

1. OPEN/SHORT : 100%
2. INSULATION RESISTANCE: 20 Mohm min
3. CONTACT RESISTANCE: 3 ohm max
4. HI POT: DC300v/10ms

RoHS2 compliant product

| | | | |
|---|-------------|---|-------|
| ⑪ | Copper foil | COPPER FOIL | - |
| ⑩ | Outer mold | PVC 50 BLACK | BLACK |
| ⑨ | Outer mold | PVC 30 BLACK | BLACK |
| ⑧ | Inner mold | PE | - |
| ⑦ | TUBE | HEAT SHRINK TUBE | - |
| ⑥ | Nut | NUT 4.75×6.0 M3(φ 2.6mm) | - |
| ⑤ | Plug | USB B 4P FEMALE NI-PLATE PBT WHITE | - |
| ④ | Shell | USB BACK SHELL NICKEL-PLATE(USB 4P/M) | - |
| ③ | Shell | USB FLONT SHELL NICKEL-PLATE(USB 4P/M) | - |
| ② | Plug | USB CONN A 4P/M WHITE G/F CRIMPING | - |
| ① | Cable | UL2725 28#1P+28#2C+ADB OD3.8mm BLACK VW-1 30V | BLACK |

| No | Material | Description | Color |
|-------------------------|----------|-------------|------------|
| Unit:mm | Approved | Checked | Desingner |
| USB2.0 A/M TO A/F CABLE | | | Version: A |