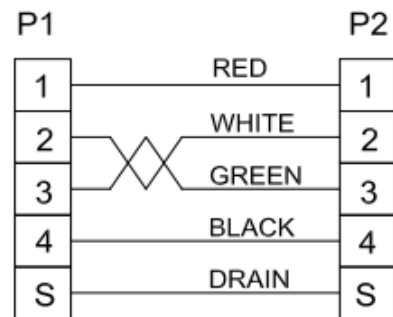


Part Number	Length(L)mm
USB2-AMPAF-440-0300TK	300 <sup>+40</sup> <sub>-0</sub>
USB2-AMPAF-440-0600TK	600 <sup>+40</sup> <sub>-0</sub>
USB2-AMPAF-440-900TK	900 <sup>+60</sup> <sub>-0</sub>
USB2-AMPAF-440-1200TK	1200 <sup>+60</sup> <sub>-0</sub>
USB2-AMPAF-440-1500TK	1500 <sup>+60</sup> <sub>-0</sub>
USB2-AMPAF-440-1800TK	1800 <sup>+60</sup> <sub>-0</sub>

**PIN ASSIGNMENT**



**TEST CONDITION**

1. OPEN/SHORT : 100%
2. INSULATION RESISTANCE: 20 Mohm min
3. CONTACT RESISTANCE: 3 ohm max
4. HI POT: DC300v/10ms

RoHS2 compliant product

⑪	Copper foil	COPPER FOIL	-
⑩	Outer mold	PVC 50 BLACK	BLACK
⑨	Outer mold	PVC 30 BLACK	BLACK
⑧	Inner mold	PE	-
⑦	TUBE	HEAT SHRINK TUBE	-
⑥	Nut	NUT 4.75 × 6.0 #4-40	-
⑤	Plug	USB B 4P FEMALE NI-PLATE PBT WHITE	-
④	Shell	USB BACK SHELL NICKEL-PLATE(USB 4P/M)	-
③	Shell	USB FRONT SHELL NICKEL-PLATE(USB 4P/M)	-
②	Plug	USB CONN A 4P/M WHITE G/F CRIMPING	-
①	Cable	UL2725 28#1P+28#2C+ADB OD3.8mm BLACK VW-1 30V	BLACK

No	Material	Description			Color
Unit:mm	Approved	Checked	Designer	USB2.0 A/M TO A/F CABLE	Version: A