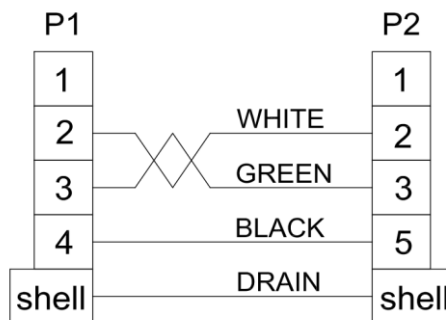


Part Number	Length(L)mm
USB2-AM-MCBM-003MTK	300⁺⁵⁰₀

PIN ASSIGNMENT



TEST CONDITION

1. OPEN/SHORT : 100%
2. INSULATION RESISTANCE:10 Mohm min
3. CONTACT RESISTANCE: 1 ohm max
4. HI POT:DC200v/10ms

RoHS2 compliant product

⑥	Copper foil	COPPER FOIL W=15mm	-
⑤	Outer mold	PVC 50 BLACK	BLACK
④	Inner mold	PE	-
③	Plug	MICRO USB B 5P	-
②	Plug	USB A/M PBT BLACK	-
①	Cable	UL2725 #28×1P+#28×2C+AB OD3.5mm BLACK VW-1 30V	BLACK

No	Material	Description	Color
Unit:mm	Approved	Checked	Desingner
		USB A/M TO MICRO USB B/M CABLE	Version: A



Part No:USB2-AM-MCBM-*MTK**