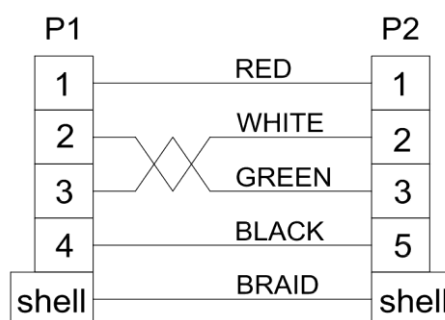


PIN ASSIGNMENT

Part Number	Length(L)mm
USB2-AM-MCBM-WH-01TK	300 ⁺⁵⁰ ₀



TEST CONDITION

1. OPEN/SHORT : 100%
2. INSULATION RESISTANCE: 10 Mohm min
3. CONTACT RESISTANCE: 1 ohm max
4. HI POT: DC200v/10ms

RoHS2 compliant product

⑥	Copper foil	COPPER FOIL W=15mm	-
⑤	Outer mold	PVC 50 WHITE	WHITE
④	Inner mold	PE	-
③	Plug	MICRO USB B 5P	-
②	Plug	USB A/M PBT BLACK	-
①	Cable	UL2725 #28×1P+#28×2C+AB OD3.5mm WHITE VW-1 30V	WHITE

No	Material	Description	Color
Unit:mm	Approved	Checked	Desingner
		USB A/M TO MICRO USB B/M CABLE	Version: A

ケーブルDirect
<https://cabledirect.jp>

Part No:USB2-AM-MCBM-WH-※※TK