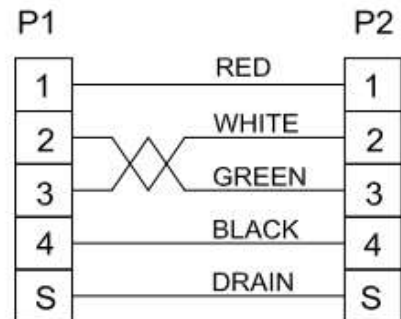


Part Number	Length(L)mm
USB2-AFPAF-0300TK	300 ⁺⁴⁰ ₋₀
USB2-AFPAF-0600TK	600 ⁺⁴⁰ ₋₀
USB2-AFPAF-900TK	900 ⁺⁶⁰ ₋₀
USB2-AFPAF-1200TK	1200 ⁺⁶⁰ ₋₀

PIN ASSIGNMENT




TEST CONDITION

1. OPEN/SHORT : 100%
2. INSULATION RESISTANCE: 20 Mohm min
3. CONTACT RESISTANCE: 3 ohm max
4. HI POT: DC300v/10ms

RoHS2 compliant product

⑩	Copper foil	COPPER FOIL	-
⑨	Outer mold	PVC 50 BLACK	BLACK
⑧	Outer mold	PVC 30 BLACK	BLACK
⑦	Inner mold	PE	-
⑥	TUBE	HEAT SHRINK TUBE	-
⑤	Nut	NUT 4.75×6.0 M3	-
④	Plug	USB B 4P FEMALE NI-PLATE PBT WHITE	-
③	Shell	USB A/F OUTER SHELL	-
②	Plug	USB A 4P FEMALE Ni-PLATE WHITE (2.0A)	-
①	Cable	UL2725 28#1P+28#2C+ADB OD3.8mm BLACK VW-1 30V	BLACK

No	Material	Description	Color
----	----------	-------------	-------

Unit:mm	Approved	Checked	Desingner	USB2.0 A/F TO A/F CABLE	 https://cabledirect.jp	Version: A
---------	----------	---------	-----------	-------------------------	--	------------

Part No:USB2-AFPAF-※※※※TK